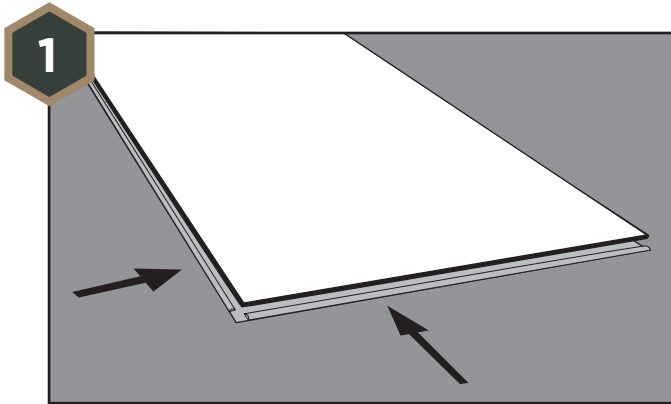
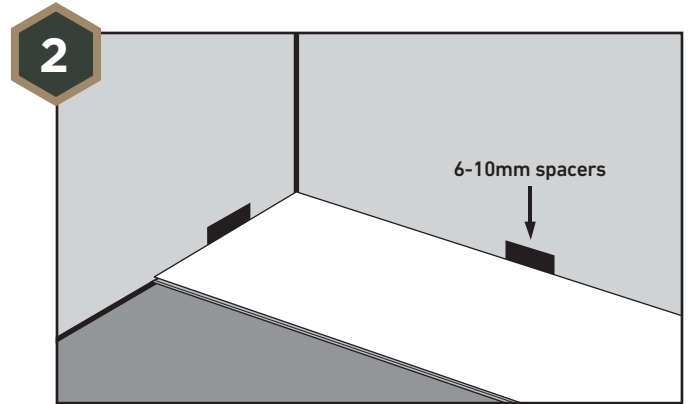


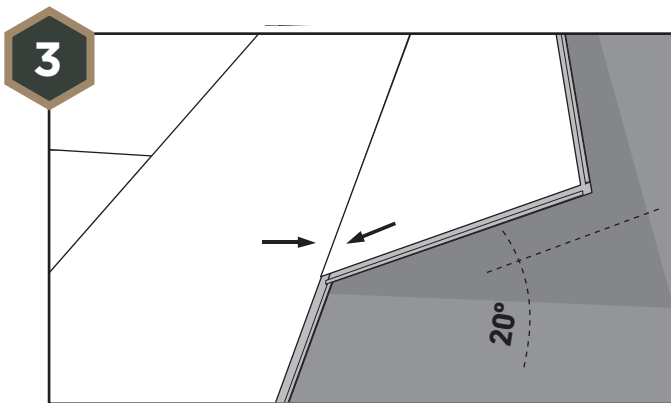
Please read the **Important Notes** on reverse before starting.



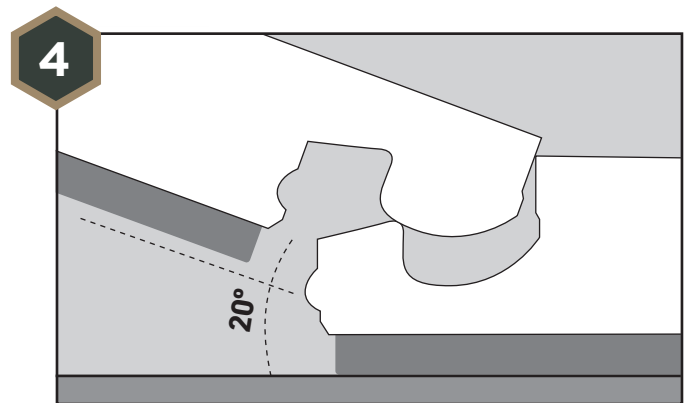
Once subfloor is fully cleaned and prepared, begin with laying planks left to right for first row. Place first plank so grooved edge is facing towards you.



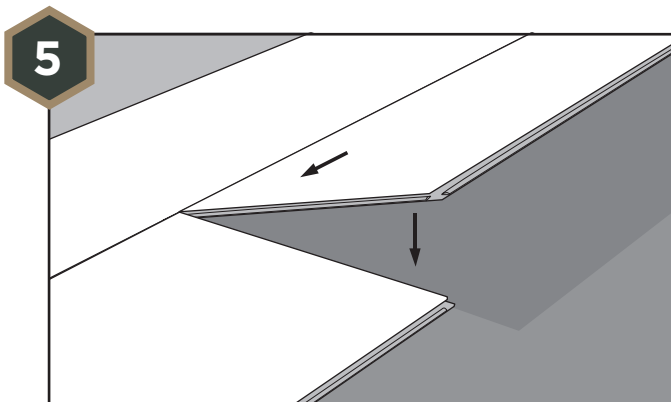
Insert 6mm spacers (minimum) between the wall and plank. Please consider that the expansion rate is 0.1% average. Lay the next board in the row interlocking with the first end-to-end and click to lock together. These should be the same height. Ensure alignment, then continue in same method.



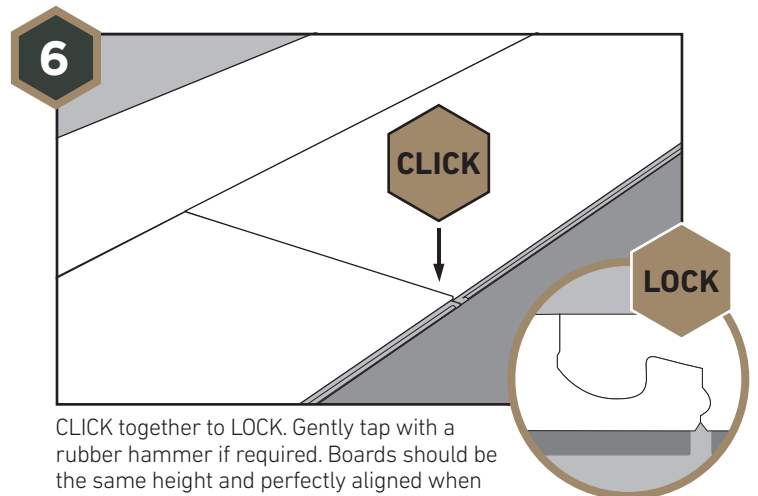
Beginning the next row, use remainder of cut plank from last piece of first row, provided piece is minimum 300mm. Otherwise cut a new plank to begin this row, ensuring joints are at least 180mm apart. Use the remainder of cut planks for ends of rows to begin subsequent rows whenever possible.



Click together the long sides of the new plank and the one in the previous row, placing the board tightly to the short end of the previous plank in this row with an angle of 20°. Drop the plank, and push to lock firmly together. These should be the same height if laid properly. Ensure both are perfectly aligned.



Slide board into position and drop into place.



CLICK together to LOCK. Gently tap with a rubber hammer if required. Boards should be the same height and perfectly aligned when locked properly. If you are not using existing beading boards, expansion gaps can be finished with matching Touchstone beading that can be attached to the walls.

Important Notes

Estimating

Check you have enough floor product to complete your flooring allowing for 10% wastage for cutting etc. This also should allow for some spare after project complete for any future repairs. Maximum room size 15m x 15m.

Climate

Open packs in the room that you are installing in and leave for 24 hours for it to acclimatise.

Sub-flooring Preparation

Check your subfloor before installation – Must be dry and clean prior to installation. Check that the surface is flat – meaning within 3mm over a 3 metre span. If you have greater variation than this, then a self-levelling compound can be used.

Floating Floor

Floor is designed to be installed as a floating floor and allowance of 6mm minimum must be allowed around edge of room. Always run underneath kitchen cabinet kickboards. Note that if the room gets significant sun, allow minimum 10mm around edge.

Layout

To provide the best color blend, please ensure you open and install from 3-4 boxes at a time. Always try to lay the floor in the linear direction of the sun or main light source.

Perimeter Expansion Gap

Any greater spans than 10 metres in one direction must be broken up with an expansion joint. This gap should be finished with a metal threshold. Maximum room size 15m x 15m.

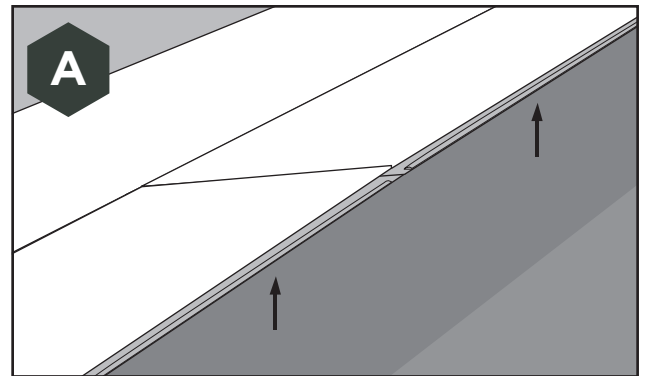
Underfloor Heating

Floor can be installed over in-floor heating. Please ensure the heating is evenly distributed and the floor temperature must not exceed 30°C.

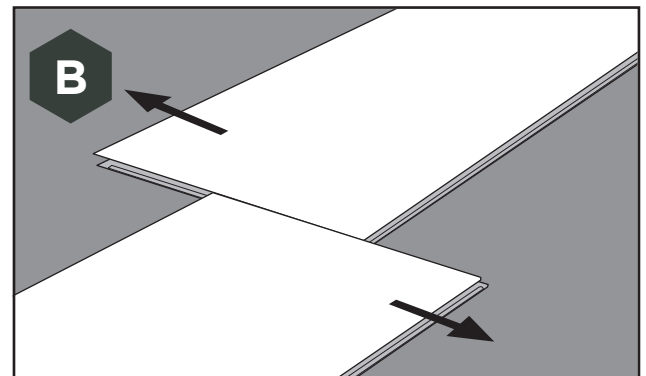
Waterproof

Floor is a waterproof material, but that does not mean that water can not pass through joints etc. So therefore the subfloor must not have moisture content any greater than 2% and if any leak/flood does occur, the floor should be uplifted to allow the area to fully dry. Touchstone flooring is not designed to be used in any exterior situation.

How to Disengage



A Lift entire row of boards to 20° angle, disengage from main floor.



B Lay row flat and slide sections apart. If tight, gently tap with rubber hammer to fully disengage.

Composite Prime Care & Maintenance Guidelines

- Use soft bristle attachments
- Sweep and / or vacuum on regular basis
- Clean any spills immediately
- Use damp mop as needed to clean floor with mild PH neutral cleaner
- No oil or waxes
- Always use furniture feet protection – under chair and table legs etc.
- Never use abrasive cleaners on your floor
- Do not slide/drag heavy items across your floor
- It is always suggested to have a mat on entry ways etc.

Images and drawings are for illustrative purposes only.

Tools needed: mallet, saw with blades for plastic, mouth mask, safety glasses, tape measure, gloves, pencil

Don't forget to register your warranty, within 45 days of purchase,

at www.composite-prime.com/register-warranty.