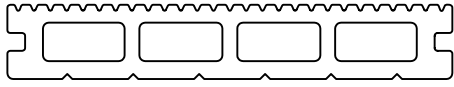


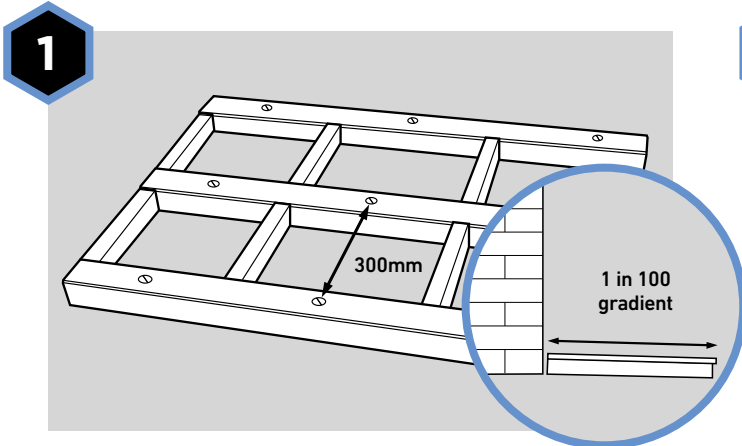
Fitting Guide

HD DECK[®] XS[®] FIRE

It is recommended that **HD Deck XS[®] Fire** is installed as per this fitting guide, **paying special attention to steps 1 & 6**

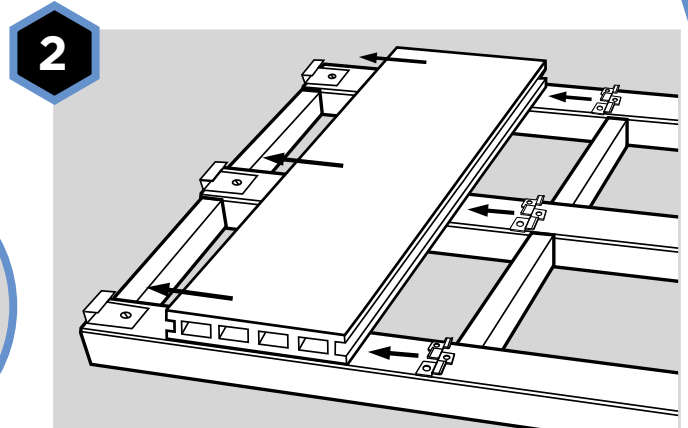


NEW REWARDS
Chance to win with every purchase!
composite-prime.com/rewards



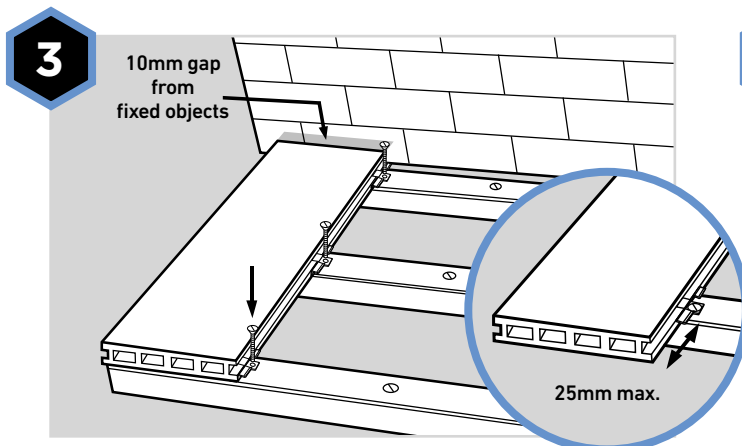
We recommend using a similarly fire rated subframe and allow for a gradual gradient of at least **1 in 100** (1%) that runs away from any adjoining buildings. Boards should run lengthways down this gradient to help water naturally disperse.

IMPORTANT: Spacing between the joists should be no greater than **300mm** between each joist.

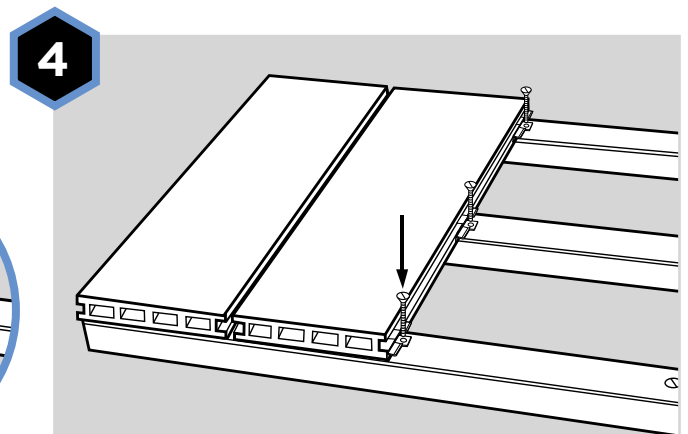


We recommend adding **HD Protect[™] Premium Joist Tape** to the top and exposed cut ends of the timber to protect it from moisture that can cause rot and loosening of screws.

Place the first piece of decking on the subframe with the decking running perpendicular to the joists. The first piece of deck should be secured with starter clips. **Do not screw or nail through HD Deck XS[®] Fire**, use one Slim Clip and screw on every joist.



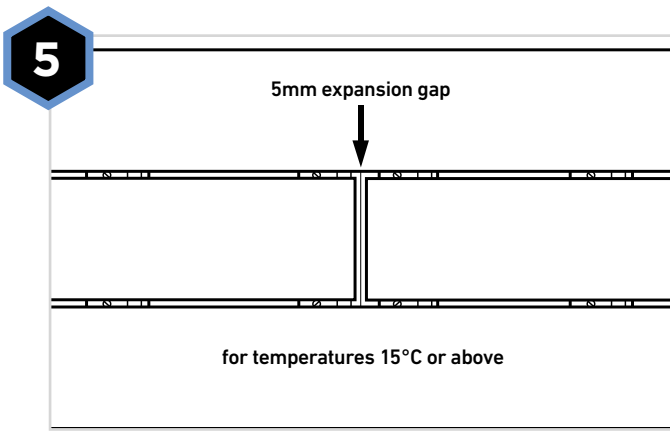
To secure the first board, use one Slim Clip and screw on every joist. Take a screw, place in the hole located in the Slim Clip and screw into the subframe. Make sure the boards do not overhang the joist at the edge by **more than 25mm** and a **10mm expansion gap** should be left between the wall or other fixed objects surrounding the deck.



Take the next piece of deck and securely push into the Slim Clips. Now nip the screw to secure the Slim Clip against the board. **Do not over tighten.** Repeat steps 3 and 4 to cover the deck, using one Slim Clip and screw on every joist.

CUTTING NOTE:

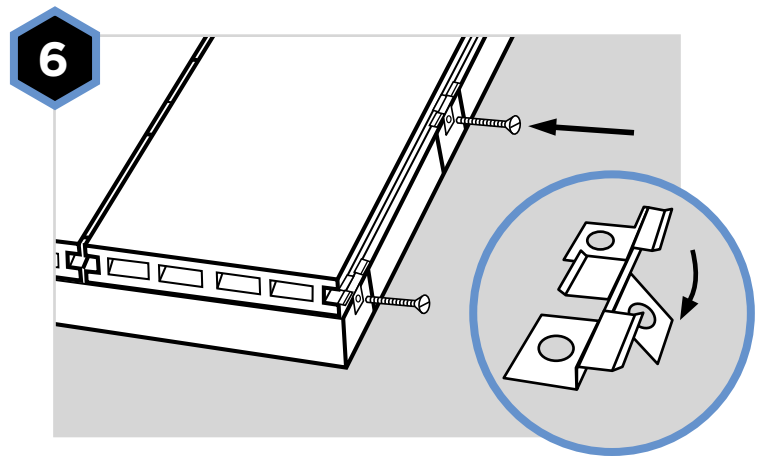
When cutting, always saw the board face up with a new fine-toothed blade to prevent dragging that can cause furring and split ends after installation. If making a large number of cuts, the blade should be replaced regularly.



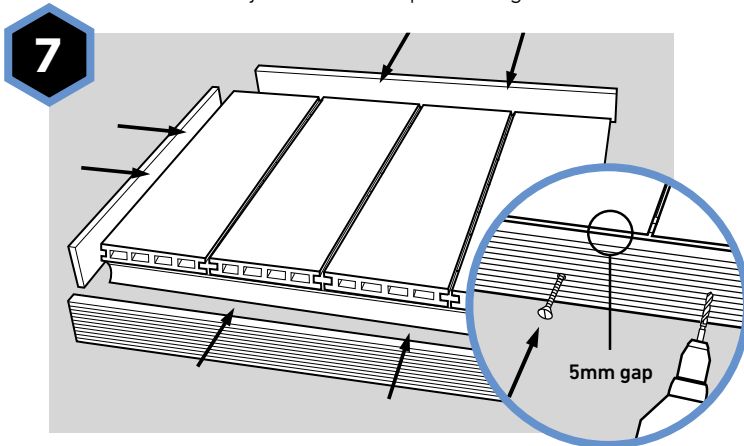
IMPORTANT: Do not allow deck boards to meet at the ends. When installing in temperatures of:

- 15°C or above allow a **5mm gap for expansion.**
- Between 10-15°C allow a **6mm gap for expansion.**
- Between 5-10°C allow a **7mm gap for expansion.**

Do not install in temperatures below 5°C. Joins should only occur over double joists with a clip securing each end.



In order to fit the final board, bend the Slim Clip screw hole to a **90° angle** and fit over the edge of the subframe. Screw into place to secure boards. If necessary, you can trim excess tabs off.



If using Fire Fascia, drill pilot holes with counterbore through the fascia at 200-300mm intervals. According to ambient temperature allow a **5-7mm gap** between end of deck board and the fascia. Screw fascia to the joist. Always screw fascia to the joist at a 90° degree angle.

A Composite Prime Product

abzorbit

Grease & Oil Stain Remover

Abzorbit™ is a revolutionary new aerosol spray that treats and removes grease and oil stains with a simple spray on and brush off process.

Abzorbit™ can be used to treat stains on any timber or uncapped composite decking product.

Composite Prime Care & Maintenance Guidelines

Care Guidelines

HD Deck XS® Fire is a low maintenance product but periodic cleaning is recommended. Your HD Deck® may appear clean, however, it is important to prevent the build-up of pollen and debris that can cause mold growth. It is recommended that furniture placed on HD Deck XS® Fire is fitted with rubber or felt feet to prevent unnecessary scrapes.

Weathering

During the first 6-12 months the colour pigments will stabilize, during this time fading may occur before weathering naturally.

Cleaning Guidelines

Domestic pressure washers may be used with caution, in conjunction with the spray nozzle, to remove stains, ground-in dirt and chalk. Keep a **minimum distance of 1ft between the nozzle and the deck** to prevent damage to the deck.

It is always recommended that you test a small area in an inconspicuous place to determine if the cleaning product being used to clean/remove stains from your deck will cause any unwanted discolouration.

Dirt, debris and watermarks

Clean the decking to remove dirt or debris by using soap, hot water and a stiff bristle. Rinse thoroughly.

Mold and Mildew

Use an organic patio cleaner such as Algon or a light bleach solution. Ensure all detergent is washed off after use.

Berries and Wine Stains

Mix an eco-friendly bleach in hot water. Scrub the stain lightly and immediately rinse the area thoroughly. Note: Using too much bleach may cause lightening of the deck colour. The stain may not disappear entirely.

Rust Stains, Ground-in Dirt and Grime

Use a cleaning product containing oxalic or phosphoric acid base to lighten or remove the rust or dirt. Product may need to sit on stain 10-15 minutes. Rinse thoroughly.

Oil and Grease Stains

Scrub in a household-degreasing agent as soon as the stain occurs. Rinse thoroughly with warm water. Or use Abzorbit™ grease and oil stain remover.

Chalk Markings

Scrubbing the area with hot soapy water may dislodge some of the chalk. Rinse thoroughly.

Ice and Snow

Rock salt, available in many home centres, will melt ice on decking. Rinse thoroughly when practical.

Images and drawings are for illustrative purposes only. HD Deck XS® Fire may be laid in a variety of patterns, we recommend that you draw out how you would like your deck to appear, making notes of joins and joists before starting the installation. For elevated decks greater than 600mm (0.6m) in height we recommend using a professional installer. **When cutting, always saw the board face up with a new fine-toothed blade to prevent dragging that can cause furring and split ends after installation. If making a large number of cuts, the blade should be replaced regularly.** Don't forget to register your warranty, within 45 days of purchase, at www.composite-prime.com/register-warranty.